

# BELT-DRIVE CAPACITY TABLES

<b>SIZE 126</b>		Wheel diameter: 12"      Inlet: 8" OD      Outlet area: .255 sq. ft.																											
CFM	OV	1/4"SP		1/2"SP		3/4"SP		1"SP		2"SP		3"SP		4"SP		5"SP		6"SP		7"SP		8"SP		9"SP		10"SP			
		RPM	BHP	RPM	BHP	RPM	BHP	RPM	BHP	RPM	BHP	RPM	BHP	RPM	BHP	RPM	BHP	RPM	BHP	RPM	BHP	RPM	BHP	RPM	BHP	RPM	BHP	RPM	BHP
150	588	587	0.11	792	0.12	967	0.13	1111	0.15	1558	0.22	1903	0.30	2201	0.40	2456	0.50	2698	0.61	2915	0.73	3121	0.85	3304	0.98	3486	1.11		
250	980	677	0.12	862	0.14	1010	0.15	1137	0.17	1578	0.25	1920	0.35	2213	0.47	2464	0.59	2693	0.71	2909	0.85	3117	0.99	3307	1.14	3479	1.29		
350	1373	789	0.14	954	0.16	1091	0.18	1213	0.20	1604	0.29	1943	0.40	2234	0.53	2482	0.66	2719	0.82	2922	0.96	3126	1.13	3307	1.29	3492	1.47		
450	1765	908	0.16	1063	0.19	1191	0.22	1304	0.24	1685	0.36	1983	0.47	2253	0.60	2504	0.75	2735	0.91	2949	1.08	3139	1.25	3328	1.44	3511	1.64		
550	2157	1037	0.20	1179	0.23	1300	0.26	1408	0.30	1765	0.43	2065	0.57	2311	0.71	2536	0.86	2764	1.02	2968	1.20	3165	1.39	3348	1.58	3529	1.79		
650	2549	1173	0.25	1300	0.28	1419	0.32	1520	0.36	1857	0.52	2137	0.68	2394	0.85	2610	1.01	2817	1.18	3003	1.35	3191	1.54	3368	1.74	3536	1.95		
750	2941	1315	0.31	1429	0.35	1536	0.40	1635	0.44	1960	0.62	2230	0.80	2470	0.99	2688	1.18	2893	1.38	3080	1.57	3252	1.77	3412	1.96	3573	2.17		
850	3333	1460	0.40	1562	0.44	1660	0.49	1755	0.54	2069	0.74	2328	0.95	2555	1.15	2770	1.37	2974	1.59	3153	1.81	3330	2.03	3486	2.24	3643	2.46		
950	3725	1608	0.50	1702	0.55	1791	0.60	1877	0.66	2184	0.88	2431	1.11	2657	1.34	2864	1.58	3051	1.81	3232	2.05	3403	2.30	3568	2.55	3723	2.80		
1050	4118	1758	0.63	1845	0.68	1926	0.74	2005	0.80	2302	1.04	2545	1.29	2759	1.55	2960	1.80	3141	2.06	3318	2.32	3485	2.59	3646	2.86	3799	3.14		
1150	4510	1909	0.78	1989	0.84	2065	0.91	2138	0.97	2419	1.23	2659	1.50	2869	1.78	3059	2.05	3244	2.34	3409	2.62	3572	2.90	3731	3.20	3882	3.50		
1250	4902	2061	0.96	2136	1.03	2208	1.10	2276	1.17	2541	1.45	2773	1.74	2980	2.04	3167	2.34	3342	2.64	3504	2.94	3665	3.25	3812	3.55	3962	3.87		
1350	5294	2213	1.17	2284	1.25	2351	1.32	2416	1.39	2663	1.69	2894	2.01	3099	2.33	3277	2.64	3450	2.97	3611	3.30	3762	3.63	3909	3.95				

<b>SIZE 146</b>		Wheel diameter: 14"      Inlet: 8" OD      Outlet area: .293 sq. ft.																											
CFM	OV	1/2"SP		1"SP		2"SP		3"SP		4"SP		5"SP		6"SP		7"SP		8"SP		9"SP		10"SP		12"SP		14"SP			
		RPM	BHP	RPM	BHP	RPM	BHP	RPM	BHP	RPM	BHP	RPM	BHP	RPM	BHP	RPM	BHP	RPM	BHP	RPM	BHP	RPM	BHP	RPM	BHP	RPM	BHP		
180	614	665	0.13	909	0.16	1281	0.23	1571	0.32	1815	0.42	2030	0.53	2232	0.66	2407	0.78	2578	0.92	2735	1.06	2884	1.21	3166	1.53	3426	1.87		
300	1024	751	0.15	965	0.19	1301	0.29	1575	0.39	1814	0.51	2026	0.64	2224	0.78	2405	0.93	2565	1.07	2717	1.23	2873	1.41	3143	1.75	3399	2.13		
420	1433	874	0.19	1057	0.24	1362	0.36	1617	0.49	1838	0.62	2039	0.77	2227	0.93	2404	1.09	2566	1.26	2719	1.43	2870	1.62	3143	2.01	3393	2.42		
540	1843	1018	0.25	1177	0.32	1448	0.45	1686	0.60	1898	0.76	2087	0.93	2263	1.10	2421	1.28	2576	1.47	2737	1.68	2875	1.87	3147	2.30	3390	2.73		
660	2253	1168	0.34	1316	0.42	1557	0.58	1774	0.75	1967	0.92	2154	1.11	2318	1.31	2477	1.51	2626	1.72	2769	1.94	2900	2.15	3154	2.60	3400	3.09		
780	2662	1324	0.45	1459	0.55	1682	0.74	1880	0.93	2061	1.13	2233	1.33	2397	1.55	2543	1.77	2689	2.00	2820	2.23	2953	2.48	3206	2.99	3425	3.48		
900	3072	1486	0.61	1608	0.72	1821	0.94	1999	1.15	2173	1.37	2331	1.61	2478	1.84	2623	2.08	2760	2.32	2893	2.58	3019	2.84	3260	3.39	3487	3.96		
1020	3481	1652	0.81	1763	0.92	1965	1.18	2131	1.42	2292	1.67	2440	1.91	2582	2.18	2714	2.44	2845	2.70	2973	2.98	3094	3.26	3327	3.84	3550	4.46		
1140	3891	1821	1.05	1922	1.18	2109	1.47	2276	1.75	2418	2.02	2564	2.30	2698	2.57	2822	2.85	2943	3.14	3067	3.44	3185	3.75	3414	4.38				
1260	4300	1992	1.35	2084	1.50	2258	1.80	2419	2.12	2557	2.42	2687	2.72	2820	3.03	2936	3.32	3056	3.64	3171	3.96	3281	4.28	3498	4.95				
1380	4710	2164	1.71	2250	1.88	2413	2.20	2564	2.55	2704	2.89	2826	3.22	2943	3.54	3064	3.88	3177	4.21	3286	4.55	3388	4.88	3597	5.61				
1500	5119	2338	2.13	2418	2.32	2568	2.66	2709	3.03	2846	3.41	2973	3.79	3082	4.14	3187	4.48	3300	4.86	3409	5.23	3511	5.59						
1620	5529	2512	2.63	2587	2.83	2728	3.20	2863	3.60	2993	4.01	3117	4.42	3226	4.80	3327	5.18	3430	5.57										

Performance certified is for installation type D: Ducted inlet, Ducted outlet. Power rating (BHP) does not include transmission losses. Performance ratings do not include the effects of appurtenances (accessories).

MATERIAL SPECIFICATIONS	Housings	Pedestals and drive-side plates	Inlet plates	Bearings [Arr. 1, 9, 9X]
		12 gauge	Sizes 85-106: 12 gauge Sizes 116-146: 10 gauge	14 gauge

### FLANGED INLET OPTION

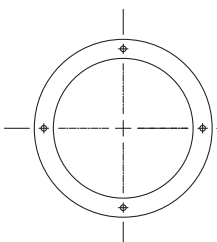
Four 5/16" diameter holes furnished on centerlines.

NOTE-Inlet flange: 10 gauge.

DIMENSIONS [INCHES]\*

Size	ID	BC	OD
85	5	6	7
95	6	7	8
105	6	7	8
106	6	7	8
116	7	8	9
125	7	8	9
126	8	9	10
136	8	9	10
146	8	9	10

\*4V flanged inlets differ from dimensions shown.

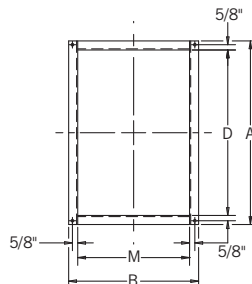


### FLANGED OUTLET OPTION

7 gauge flange is mounted flush with outside edge of housing discharge. All sizes have 5/16" diameter corner holes. Sizes 136 and 146 have four additional holes on centerline. Not available on Size 85 Arr. 4 Bottom Horizontal and all Down Blast discharge fans.

DIMENSIONS [INCHES]

Size	A	B	D	M
85	6 5/8	5 5/8	4 5/8	3 5/8
95	7 5/8	5 5/8	5 5/8	3 5/8
105	7 5/8	5 5/8	5 5/8	3 5/8
106	7 5/8	7 5/8	5 5/8	5 5/8
116	9	7 5/8	7	5 5/8
125	9	5 5/8	7	3 5/8
126	9	7 5/8	7	5 5/8
136	10 1/4	7 5/8	8 1/4	5 5/8
146	10 1/4	7 5/8	8 1/4	5 5/8



### OUTLET DAMPER OPTION

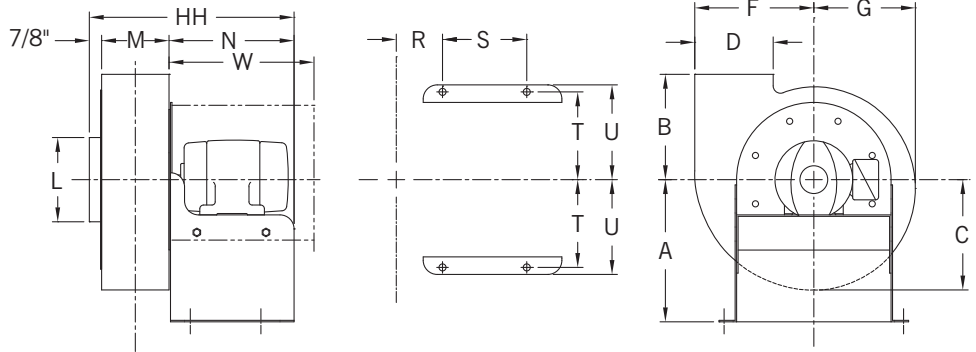
Outlet damper has the effect of extending the fan B dimension per the chart below. Damper outlet dimensions are the same as fan outlet, D, and M. For slip-connection damper only.

Size	Damper extension
85	5 3/8"
95	5 7/8"
105	5 7/8"
106	5 7/8"
116	6 1/2"
125	6 1/2"
126	6 1/2"
136	7 3/4"
146	7 3/4"

# DIRECT-DRIVE DIMENSIONS

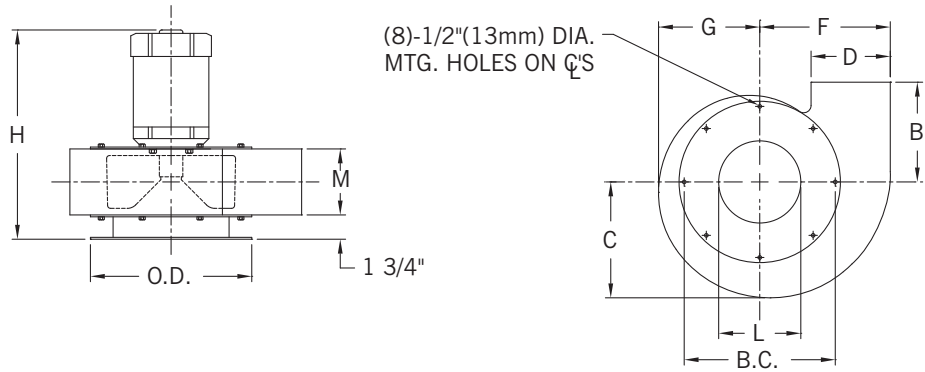
## ARRANGEMENT 4

Size	Motor frame	A
85, 95	48, 56	10½
105	48, 56, 143T, 145T	
106	56, 143T, 145T	
116, 125, 126	56, 143T, 145T	12½
	182T, 184T	13½
136	56, 143T, 145T	12½
	182T, 184T	13½
146	143T, 145T	12½
	182T, 184T	13½



## ARRANGEMENT 4V

Size	Motor frame	H*
85, 95	48C, 56C	15¾-18½
105	48C, 56C	15¾-18½
106	56C	20½
	143TC, 145TC	21½
116, 126, 136	56C	20½
	143TC, 145TC	21½
	182TC, 184TC	25½
125	56C,	18½
	143TC, 145TC	19½
	182TC, 184TC	23½
146	143TC, 145TC	21½
	182TC, 184TC	25½



\*Range based on motor frame selected using standard duty TEFC motors.

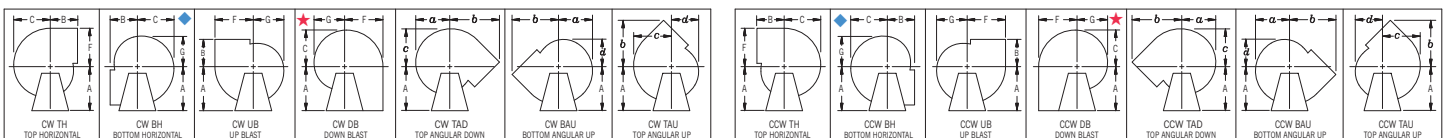
## DIMENSIONS [INCHES]

Size	B	C	D	F	G	HH	L	M	N	R	S	T	U	W	a	b	c	d	O.D.	B.C.	Arr. 4 wt. [lbs.]*	Arr. 4V wt. [lbs.]*
85	6	6¾	4⅝	6⅞	5⅞	14⅝	5	3⅝	10⅞	37/16	6	6¼	6¾	14¼	6¼	9⅞	6⅝	5⅝	10	9	35	26
95	7½	7⅞	5⅝	8½	7¼	14⅝	6	3⅝	10⅞	37/16	6	6¼	6¾	14¼	7¾	11¼	8	6¾	12¾	12	39	30
105	7½	7⅞	5⅝	8½	7¼	14⅝	6	3⅝	10⅞	37/16	6	6¼	6¾	14¼	7¾	11¼	8	6¾	12¾	12	40	31
106	7½	7⅞	5⅝	8½	7¼	16⅝	6	5⅝	10⅞	47/16	6	6¼	6¾	14¼	7¾	11¼	8	6¾	12¾	12	45	36
116	8½	10	7	11¼	8¾	17⅝	7	5⅝	11⅞	415/16	7	7¾	8¼	15	9¾	13⅞	10⅝	8⅞	13¾	12⅞	55	42
125	8½	10	7	11¼	8¾	15⅝	7	3⅝	11⅞	315/16	7	7¾	8¼	15	9¾	13⅞	10⅝	8⅞	13¾	12⅞	55	42
126	8½	10	7	11¼	8¾	17⅝	8	5⅝	11⅞	415/16	7	7¾	8¼	15	9¾	13⅞	10⅝	8⅞	13¾	12⅞	60	47
136	10½	11⅞	8¼	12	10¼	17⅝	8	5⅝	11⅞	415/16	7	7¾	8¼	15	10¾	16	11½	9¾	18	16½	70	59
146	10½	11⅞	8¼	12	10¼	17⅝	8	5⅝	11⅞	415/16	7	7¾	8¼	15	10¾	16	11½	9¾	18	16½	70	59

L is OD of collar. M and D are outside dimensions. W pertains to optional weather cover. \*Bare fan weight, less motors. Arr. 4 base holes and Arr. 4V mounting holes = ½"

Tolerance: ± 1/8"

## FAN DISCHARGES – VIEWED FROM DRIVE SIDE



Clockwise—angular discharges at 45°

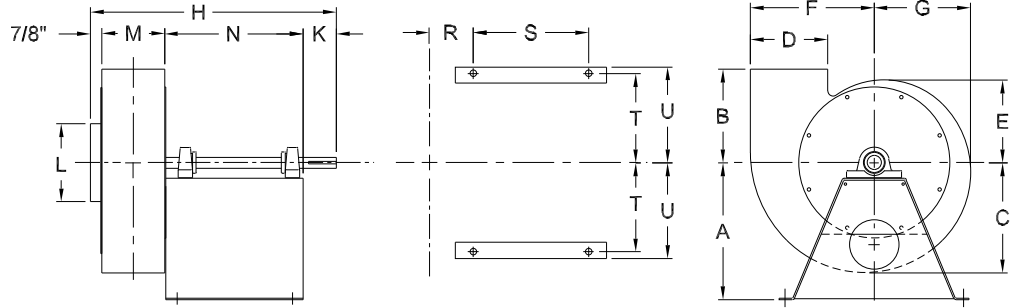
Counterclockwise—angular discharges at 45°

◆ On Size 146 in Bottom Horizontal discharge with optional flanged outlet, the flange extends below the Arrangement 1 or 9 baseline.

★ Down Blast discharge is not available in Arrangement 9X.

# BELT-DRIVE DIMENSIONS

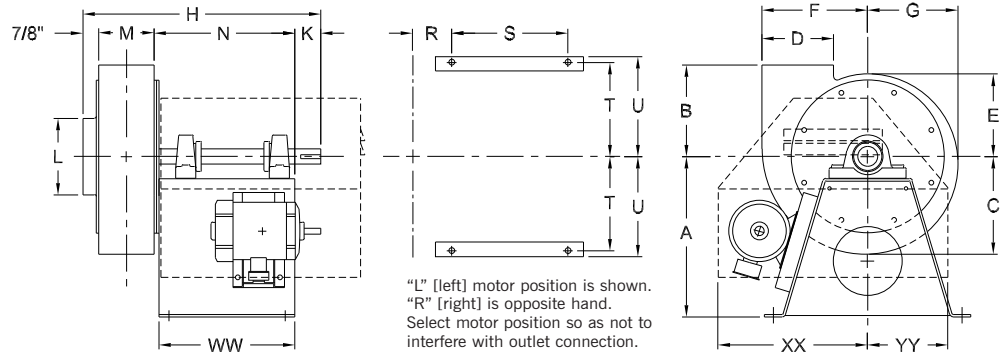
## ARRANGEMENT 1



## ARRANGEMENT 9

### MINIMUM-MAXIMUM V-BELT DRIVE CENTERS [INCHES]

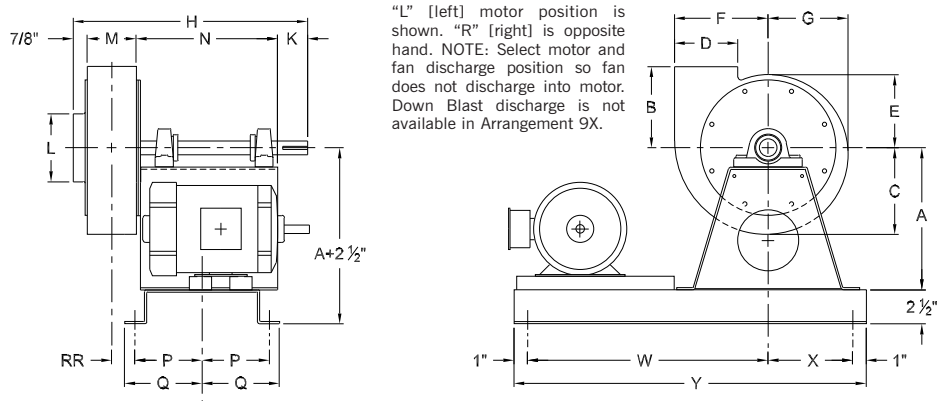
Size	Frame	Min.	Max.
85, 105, 106	48	8½	10¼
	56	8⅞	10⅝
125, 126, 146	48	9⅞	11¾
	56/143/145	10	12⅛



## ARRANGEMENT 9X

### MINIMUM-MAXIMUM V-BELT DRIVE CENTERS [INCHES]

Size	Frame	Min.	Max.
85, 105, 106	48	14	17¼
	56/143/145	14½	16⅝
125, 126, 146	56/143/145	16⅞	18⅝
	182/184	15½	18



## DIMENSIONS [INCHES]

Size	A	B	C	D	E	F	G	H	K	L	M	N	P	Q	R	RR	S	T	U	W
85	10½	6	6¾	4⅝	5¾	6⅞	5⅞	17	2¼	5	3⅝	10¼	5½	5⅞	3¾	1¼	6	6¼	6¾	17¾
105	10½	7½	7⅞	5⅝	6⅞	8½	7¼	17	2¼	6	3⅝	10¼	5½	5⅞	3¾	1¼	6	6¼	6¾	17¾
106	10½	7½	7⅞	5⅝	6⅞	8½	7¼	19	2¼	6	5⅝	10¼	5½	5⅞	4¾	2¼	6	6¼	6¾	17¾
125	12½	8½	10	7	7½	11¼	8¾	20⅞	3	7	3⅝	12⅝	7½	7⅞	3	1½	10½	8⅞	8⅝	20⅞
126	12½	8½	10	7	7½	11¼	8¾	22⅞	3	8	5⅝	12⅝	7½	7⅞	4	2½	10½	8⅞	8⅝	20⅞
146	12½	10½	11⅞	8¼	9¾	12	10¼	22⅞	3	8	5⅝	12⅝	7½	7⅞	4	2½	10½	8⅞	8⅝	20⅞

Size	WW	X	XX	Y	YY	a	b	c	d	Max. motor length ★				Shaft dia.	Keyway	Base holes	Bare fan weights [lbs.] †		
										Arr. 9	Arr. 9X	Arr. 9	Arr. 9X				Arr. 1	Arr. 9	Arr. 9X
85	14⅝	6¼	13½	26	5½	6¼	9⅞	6⅝	5⅝	9½	127	56	145T	1	¼ x ⅛	½	40	40	55
105	14⅝	6¼	13½	26	5½	7¾	11¼	8	6¾	9½	127	56	145T	1	¼ x ⅛	½	45	45	60
106	14⅝	6¼	13½	26	5½	7¾	11¼	8	6¾	9½	127	56	145T	1	¼ x ⅛	½	50	50	65
125	17⅝	8⅞	14⅝	31	7¾	9¾	13⅞	10⅝	8⅞	11¾	127	145T	184T	1	¼ x ⅛	½	60	60	85
126	17⅝	8⅞	14⅝	31	7¾	9¾	13⅞	10⅝	8⅞	11¾	127	145T	184T	1	¼ x ⅛	½	65	65	90
146	17⅝	8⅞	14⅝	31	7¾	10¾	16	11½	9¾	11¾	127	145T	184T	1	¼ x ⅛	½	80	80	105

L is OD of collar. M and D are outside dimensions. ★ Maximum motor length is NEMA C - NW dimension. † Less motors and V-belt drives.